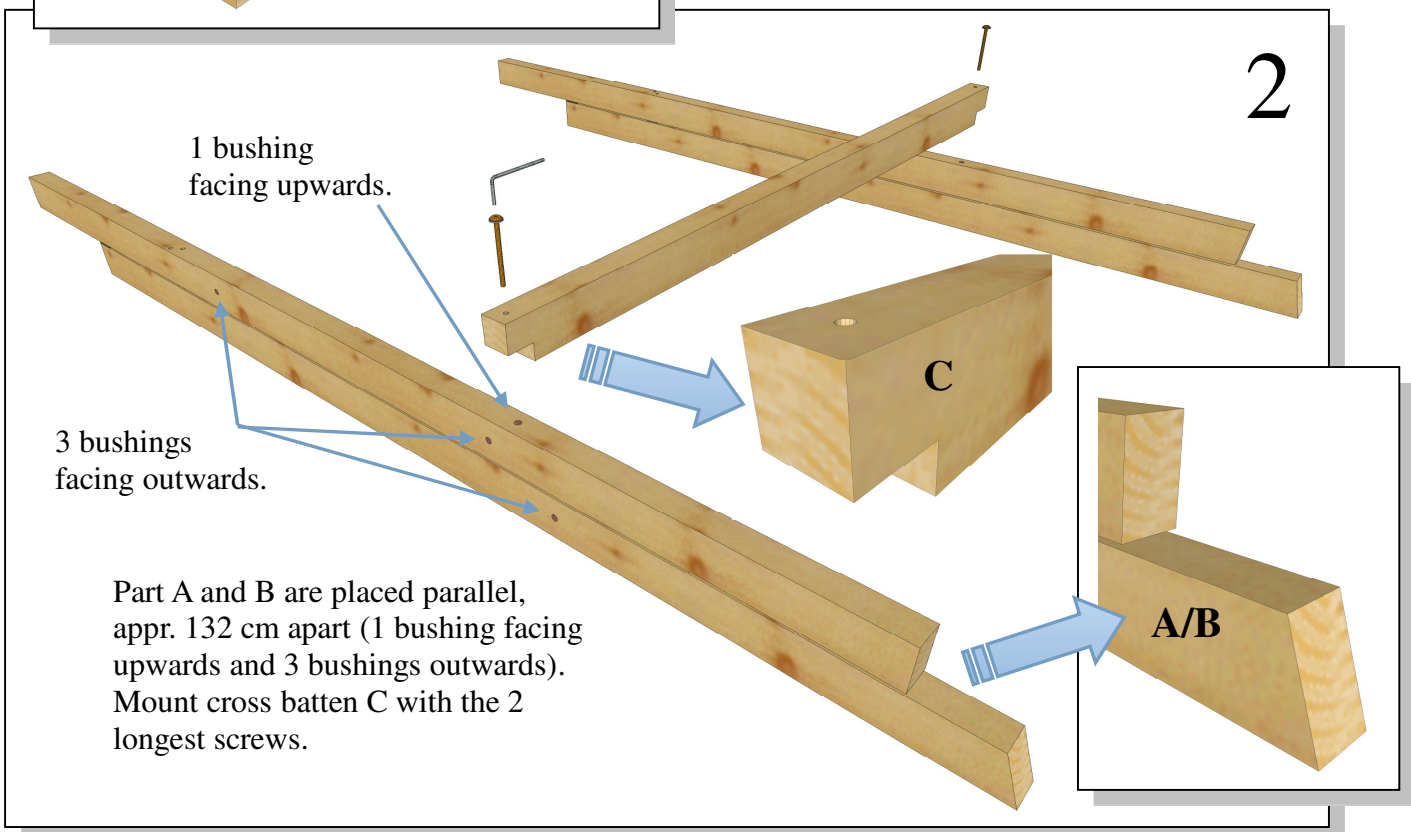
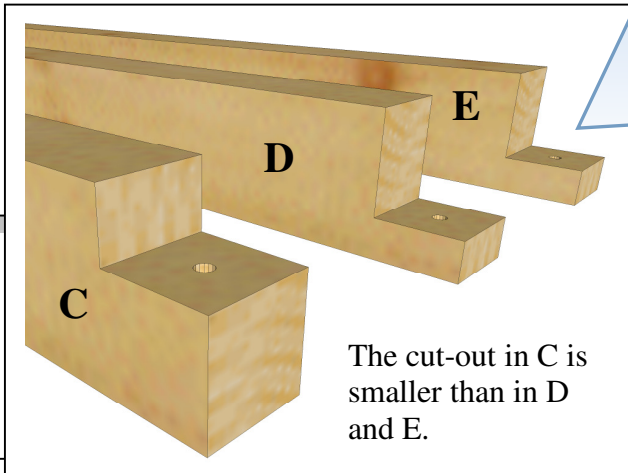
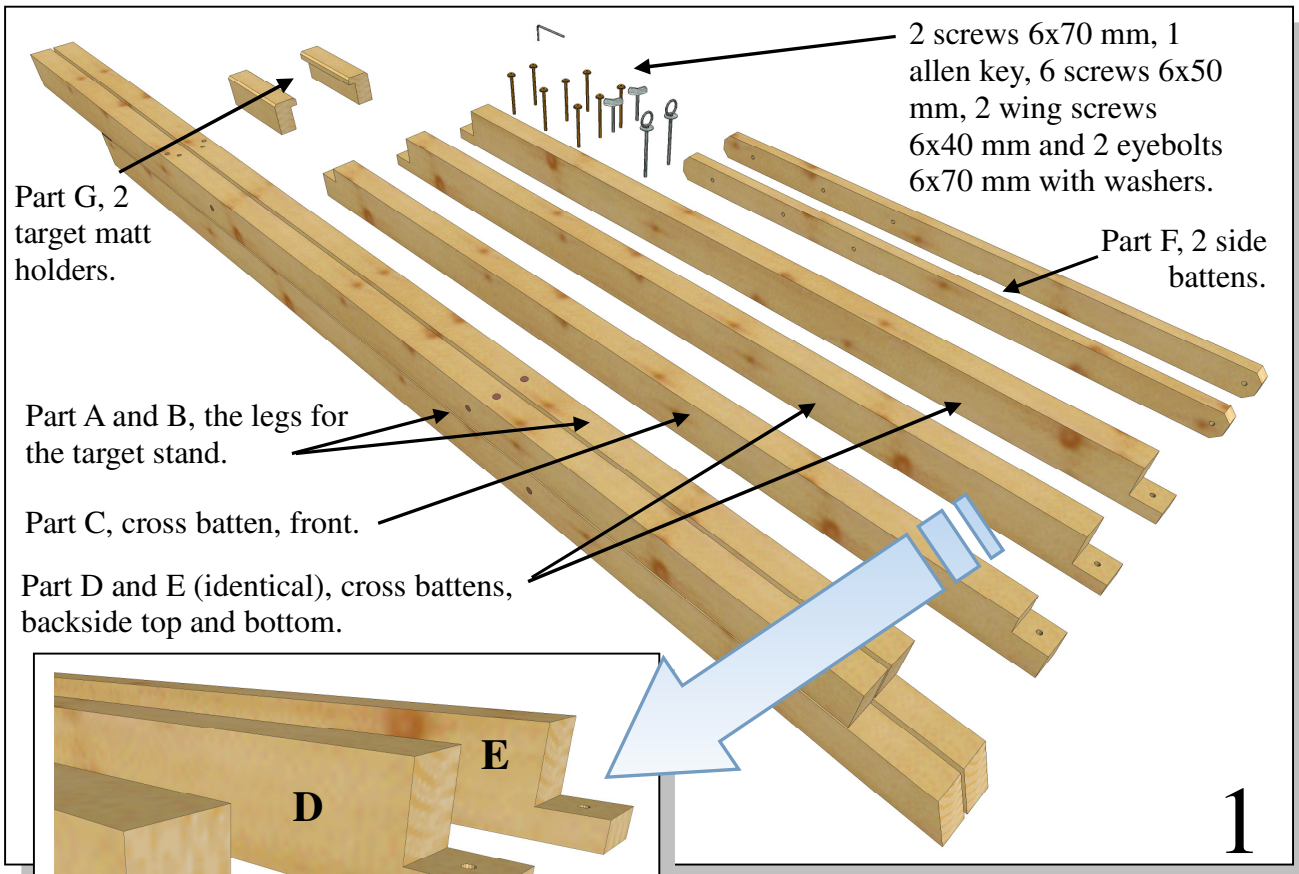
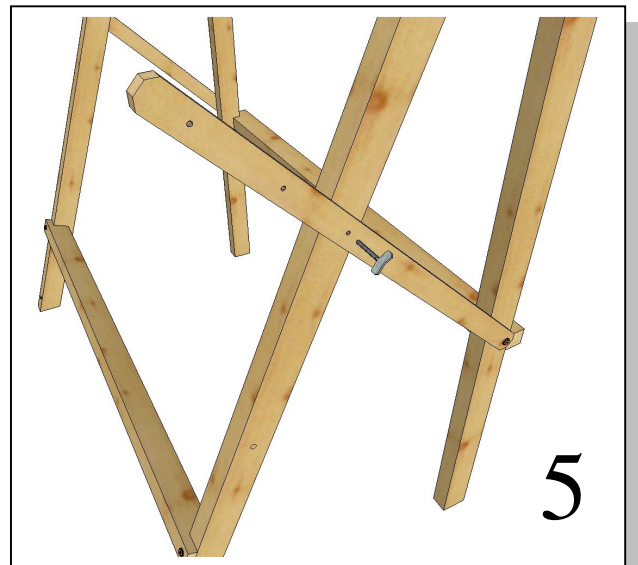
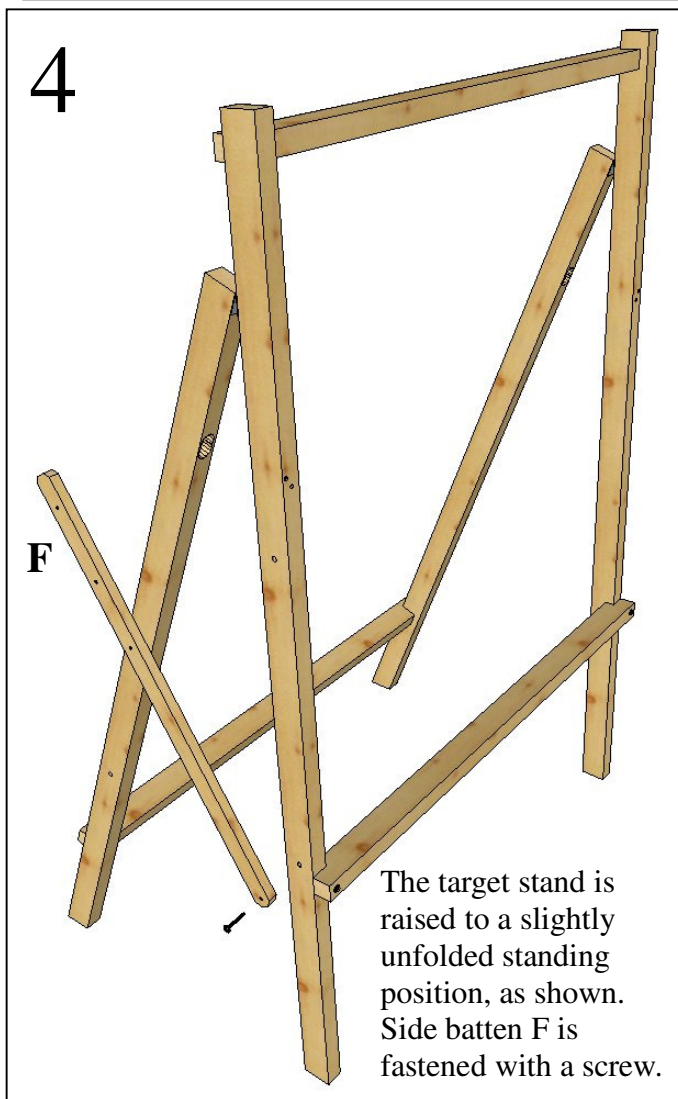
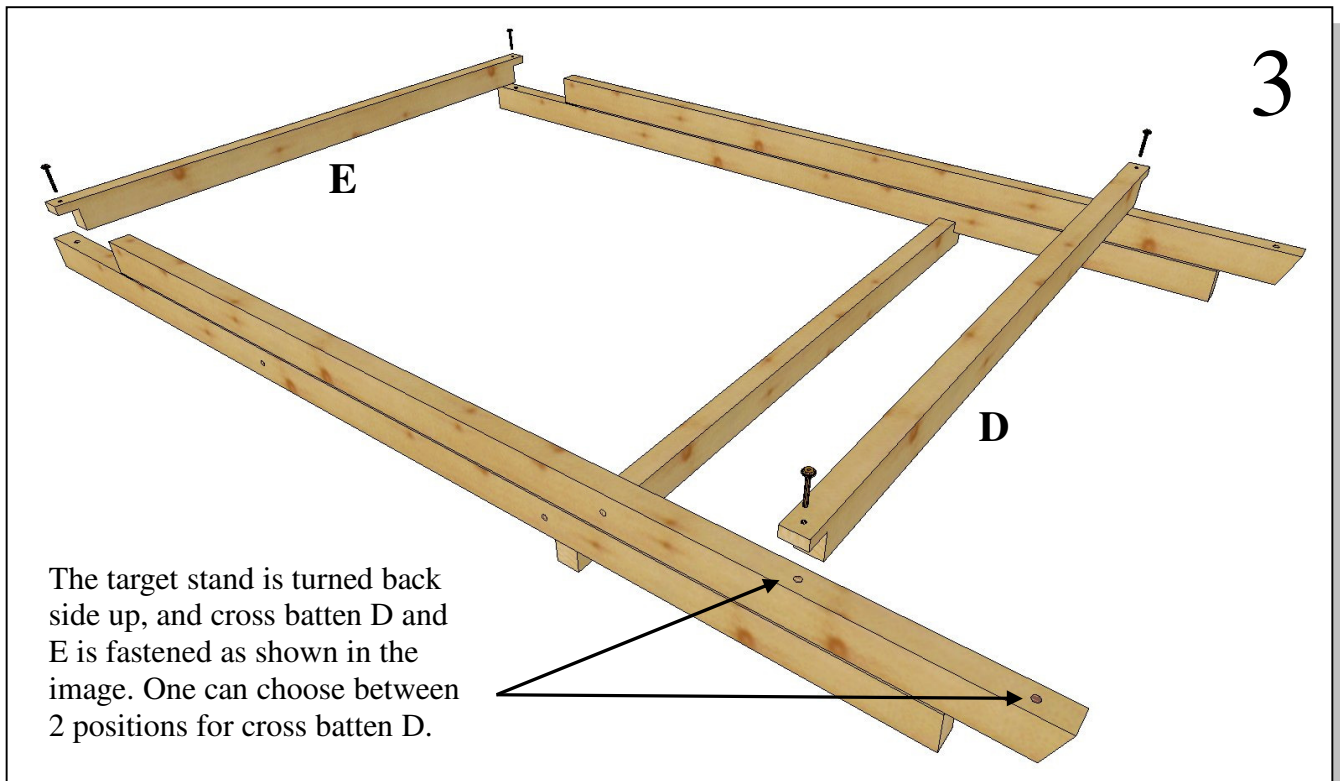


DANAGE DOMINO Target stand A/2014.

Assembly instructions.



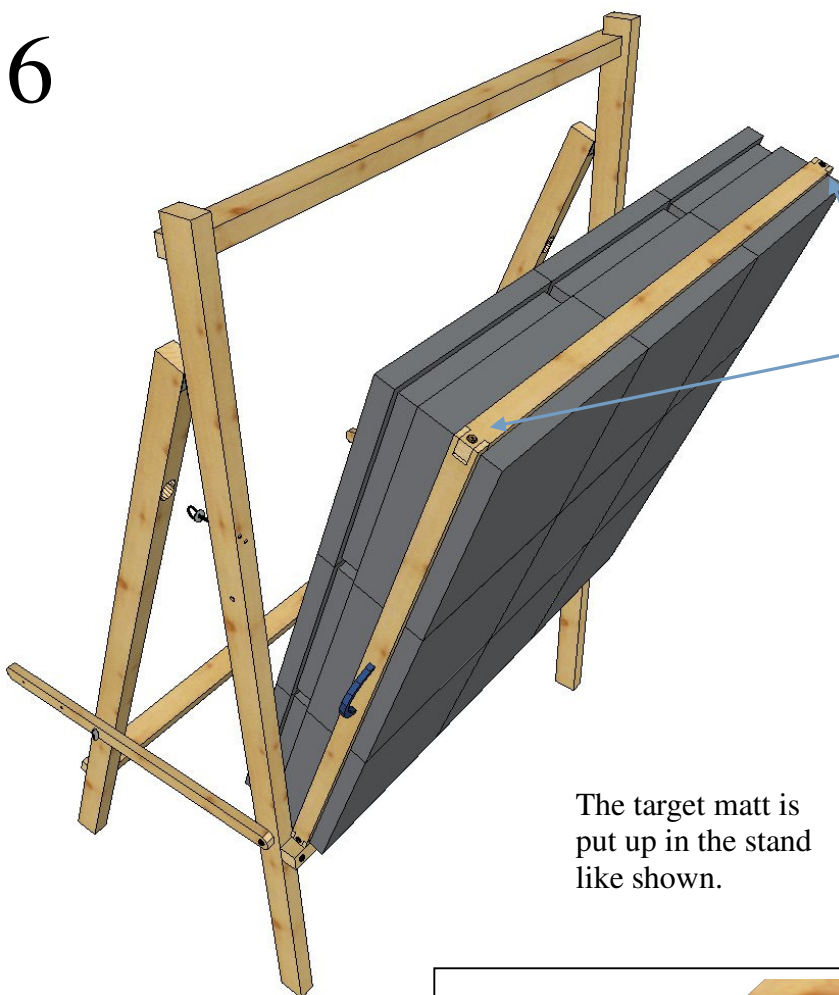




5. The wing screw is fastened in one of the 3 holes and the side batten is turned down and fastened to the back leg. The 3 holes gives the target stand different angles. The innermost hole (appr. 3° angle) is great for short distance shooting, the middle hole (appr. 8° angle) is great for medium distances, such as 30-50 m, while the last hole (appr. 13° angle) is great for distances beyond 50 m.

For transport/storage, when the target stand is folded, the side batten is fastened to the front leg only, using the wing screw in the middle hole.

6

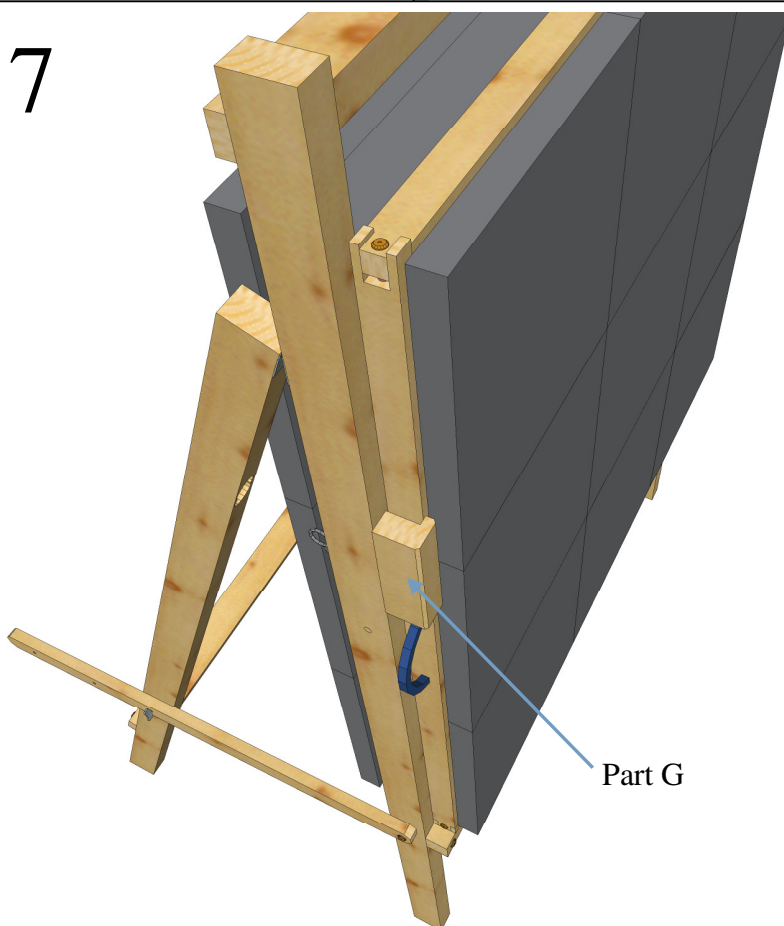


6. Target matt size A (132x132 cm) is mounted by “leaning” the lower part of the frame onto the cross batten and then tilted into position.

NOTE: If adjustable frame: The adjustable corners positioned upwards! (Adjustable frame is available on request).

The target matt is put up in the stand like shown.

7



7. Position Target matt holder Part G closest possible to frame and fasten it by eyebolt with washer.

Note: 4 (2x2) positions available.

Part G